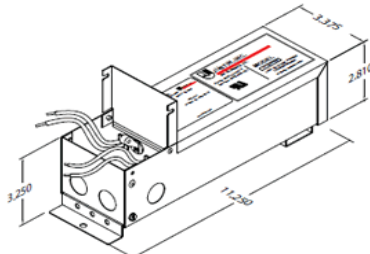
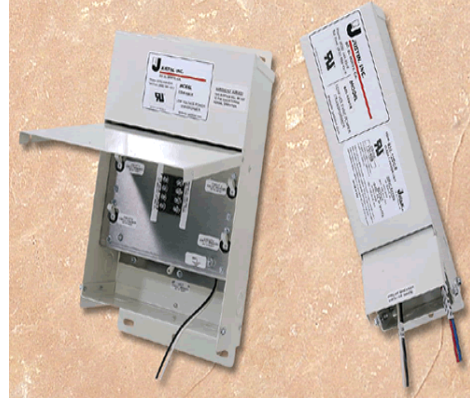


### Description

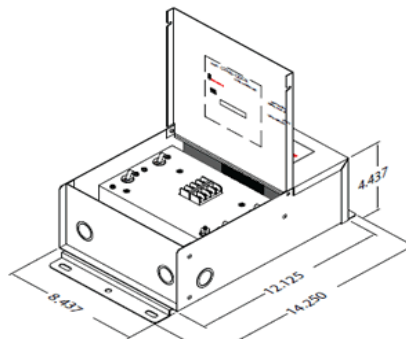
- Indoor/Outdoor Enclosure, Conduit Ready
- Manual Reset Overload Protection
- Multiple Inputs 120, 240, 277V, 50/60Hz
- Reliable Power Source for LED Lighting Applications
- Magnetic Dimmer Ready, Input / Output Dimmable
- Uses Lutron DVLV dimmer
- Made in USA

### Ordering Information:

Catalog No.	Watts	Voltage
JT1260W	60W	12VDC
JT12240W	4 x 60W Circuits	12VDC
JT2460W	60W	24VDC
JT24240W	4 x 60W Circuits	24VDC



Model: JT60W



Model: JT240W

### SINGLE CIRCUIT DC POWER SUPPLY SPECIFICATIONS

Description	12V Model 60W	Unit	JT60W Details		Unit
			Value	Unit	
Input Voltage	120	Volts AC, 1 AMP Max.	Load Regulation	0.1 Tol	Volts
Output Voltage	12.0 +/-0.3	Volts DC	Line Regulation	0.1 Tol	Volts
Output Current	5A, 60W	Amps	Input Frequency	50-60	Hertz
Current Limit	3.5/5.5 +/-0.25	Amps	Efficiency	70 Typical	%
			MTBF	100,000	1 Hours
			Operating Environment (AMB)	Minus 30 to +60	Deg "C"
			Function Surface Temp. (25 C AMB)	-40 to +80	Deg "C"
			Storage Temp.	Minus 65 to +90	Deg "C"
			Humidity	100 (Non Cond)	%
			Size	11.25 x 3.37 x 3.25	Inches
			Shipping Weight	7.0	Pounds

APPROVALS - UL1310 Listed, Class 2 Power Supplies,  
UL1310, UL48 Recognized Sign Accessories.  
CONSTRUCTION - Indoor/Outdoor  
WALL MOUNTING - Conduit Access Wiring  
Compartment.